

SYSTEMATIC QUALITY

Power columns



Catalogue



Introduction
Power columns
ES 100
ES 160
ES-LED 160
ES 230

Pages 3-15

Introduction



Page 3

ES 100



Pages 4-7

ES 160



Pages 8-11

ES-LED 160



Page 12

Practical examples



Page 13

ES 230



Pages 14-15

Power columns
RONDO M
RONDO L
Sash locks

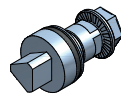
Pages 16-23

RONDO M



Pages 16-19

Sash locks



Page 19

RONDO L



Pages 20-23

Power column
QUADRO

Pages 24-25

QUADRO



Pages 24-25

Power columns
Industry
Power columns
Camping
Power columns
Harbour

Pages 26-29

Industry



Pages 26-27

Camping



Page 28

Harbour



Page 29

Practical examples

Pages 30-31

Practical examples



Pages 30-31



General

If too many cables, electric distributors and cable reels make efficient and safe work difficult, then it's time to change this!

In such situations, solutions that are functionally, aesthetically and economically convincing are needed.

In our view, there are four possible solutions for avoiding unnecessary cable reels and extensions:

1. A **UP / AP distributor**: if a wall exists, the entire connection technology can be placed there.
2. An **underfloor electrical distributor**: making the electric system retractable in the floor so that electricity can be also supplied in closed condition (the cables come directly out of the floor).
3. A **suspended distributor**: this is of course only possible if a roof exists and the distributor does not hinder normal work, e.g. moving large goods.
4. An **power column**: a version in which a column is installed, that provides everything needed, such as electricity or air.

GIFAS already has many years of experience with all four versions and a lot of acquired know-how that we would be pleased to share with you.

This brochure deals with the fourth version, the versatile possibilities with power columns. Whether in the standard version from the catalogue or in individual design, exactly according to your requirements.

You can find information on the version 1-3 in other GIFAS brochures. We would also be glad to advise you directly!

Introduction

Thanks to our power columns, electric power is quickly available everywhere and without expensive installation. As with all of our products, we also set here on high quality components and processing.

Whether indoors or outdoors: we facilitate tailor-made solutions that fulfil every wish!

Advantages of the GIFAS system

- electricity quickly available at all times
- no electric cables lying around, no risk of tripping
- no more elaborate provisional installations required
- maximum safety despite very easy operation
- low maintenance and thus negligible operating costs
- solid, including against vandalism

Power columns can be combined with the following connections:

- electricity
- water
- compressed air
- video, audio
- telematics/IT

The equipment of our power columns is carried out individually for each customer, according to your wishes and requirements.

Our services

- individual advice, also on site
- tried-and-tested product range
- tailor-made, customised solutions
- production of individual and mass series
- lifelong spare part availability guaranteed
- technical drawings
- expert advice on installation and commissioning

We only use selected, proven components. This permits many years of flawless operation.

Technical data	ES 100
Design/Material	– aluminium profile, anodised
Dimensions	– 100×50×h in mm closed aluminium profile – height according to customer wishes (up to 5'900 mm possible)
Colour	– standard: aluminium, colourless anodised – on request: painted in standard colour chart (RAL)
Protective system	High protection degree, up to max. IP65; can also be used in wet area
Media	– electricity – water – compressed air – video, audio – telematics/IT – control/reporting devices – IT/data
Attachment	– floor panel – support flange – rod
Equipment	– for 2-sided equipment with all standard device programmes – equipped or unequipped, customer-specific
Terminal blocks in tension spring technology	– cross-section and number's according to requirements – mounted on DIN-rail system – DIN-rail mounted on distance bolts
Standard types (from stock)	Yes
GIFAS scope of delivery	The ES 100 is supplied according to customer requirements with floor panel.



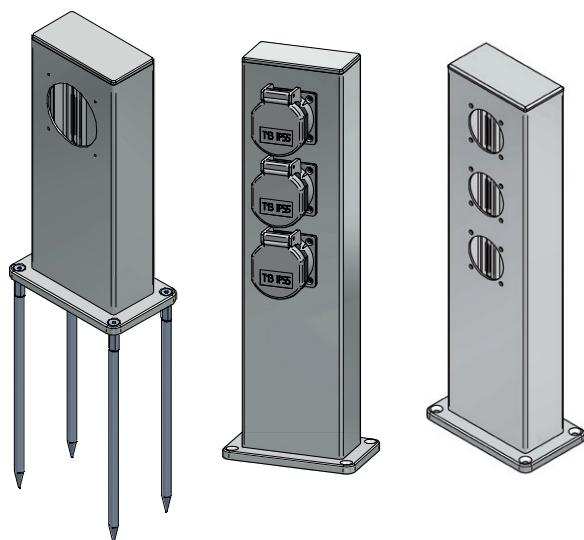
General

The ES 100 (floor panel 130×80 mm) can be equipped on two sides and is distinguished by its solid design.

In the case of the ES 100 we have several standard types, which are listed below as product range. Due to the height of the columns, the equipments and specific solutions, we would be glad to work out together with you.

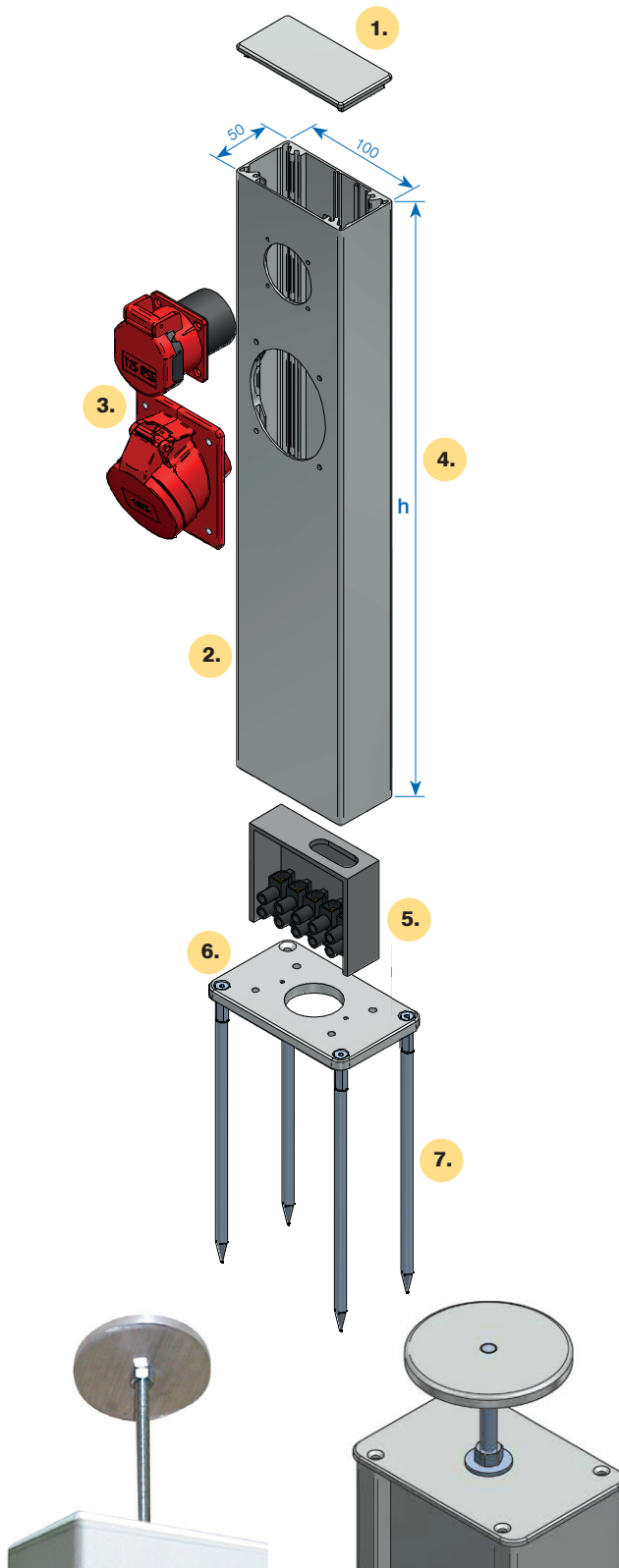
Features

- The aluminium column is ideal for the outdoor area, its corrossions free and high mechanical resistance.
- We offer the design with protection degree IP54 for ceramic and tiled floors that have to be washed.
- The ceiling connection version made of closed aluminium profiles for vertical connection technology is a special option. It permits supply from the ceiling or floor. The profile guarantees great stability and the equipments are simultaneously protected. (for details see page 5)



Equipped or unequipped, according to customer wishes (flush-mounted socket, fuses, etc).





Ceiling connection column

Tightening device consisting of:

- aluminium panel
- M12 threaded tree rod
- nuts and washers

Floor panel is not bolted:

- no risk e.g. for floor heating

1. Ceiling panel



2. Aluminium column



4. Height according to customer wishes (max. 5'900mm) or standard types from stock (see p. 6+7)

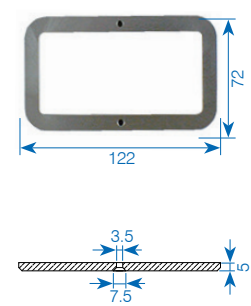
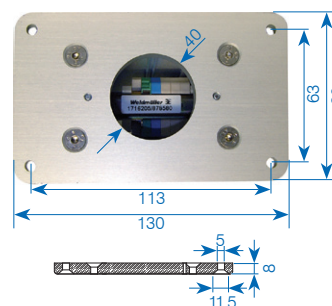
3. Customised equipment, e.g (max. CEE 16/5)



5. Terminal block integrated in
6. Floor panel

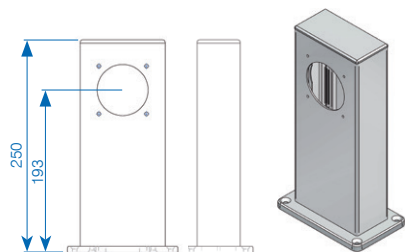


7. Rod (as an optional accessory: we recommend using ground spikes up to a maximum column height of 400mm (leverage effect!))

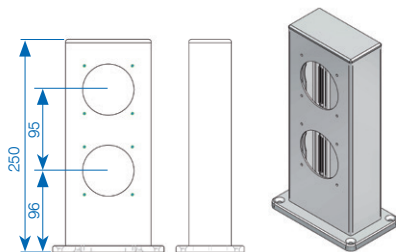


Sleeve for double ceiling and double floor

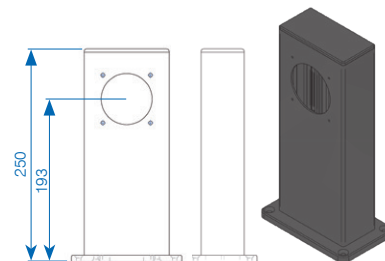
Item no. 073341



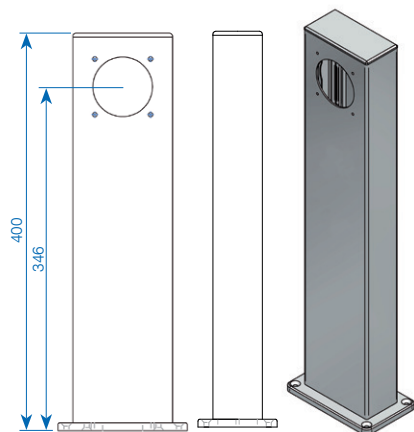
Item no. 081036



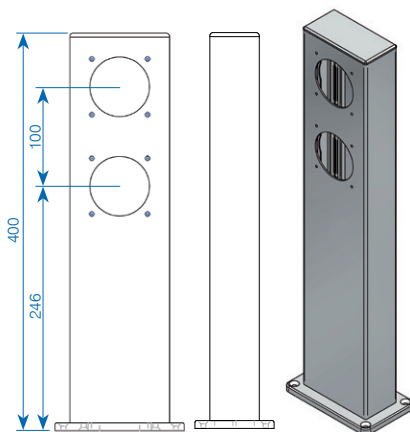
Item no. 152252



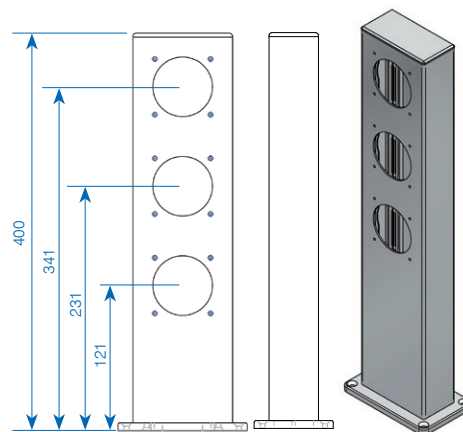
Item no. 106783



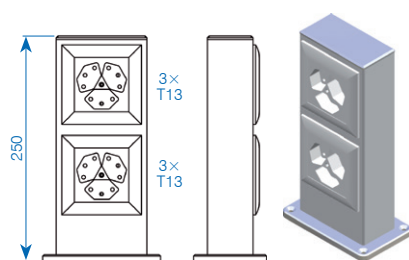
Item no. 162264



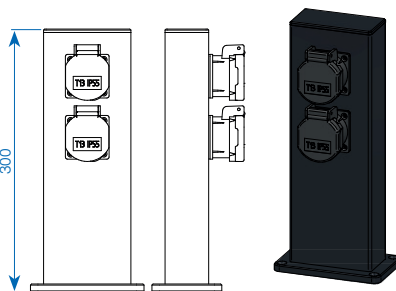
Item no. 027850



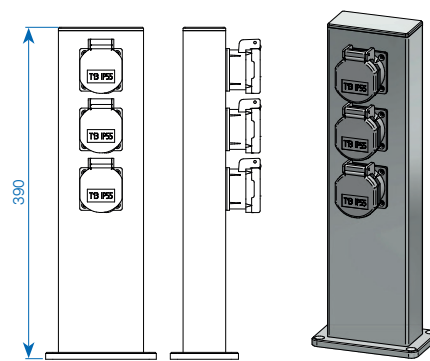
Item no. 098952



Item no. 228050

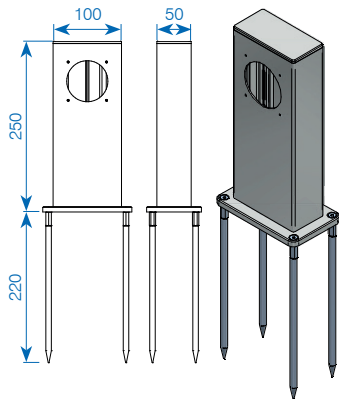


Item no. 228052

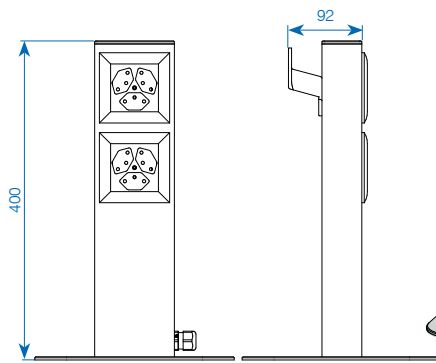


ES 100 – Product range

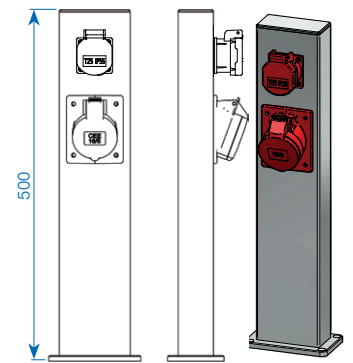
Item no. 253341



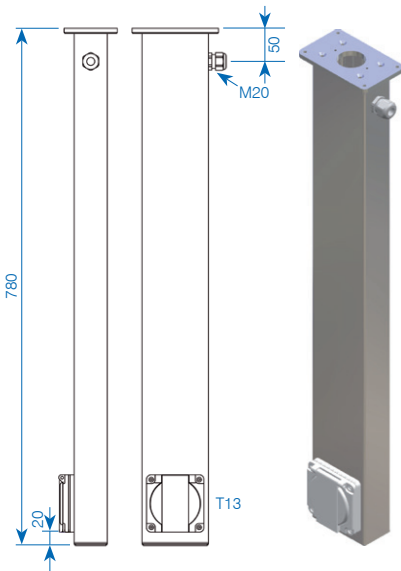
Item no. 242253



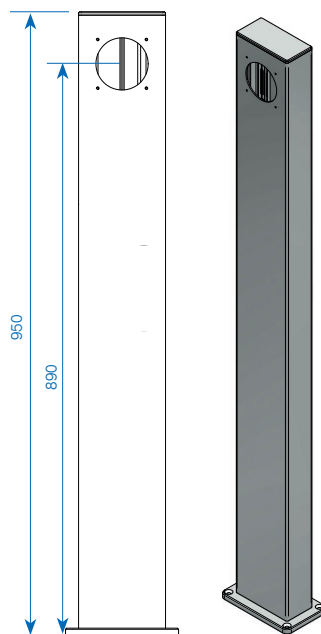
Item no. 228058



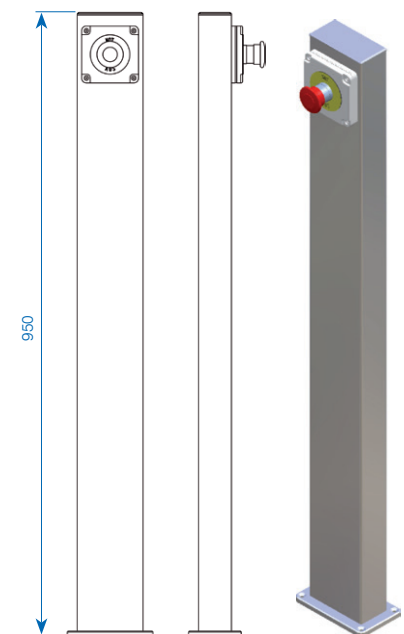
Item no. 229596



Item no. 141774



Item no. 099489



Item no.	Designation	Height	Equipment
✓ 073341	Power column type ES 100, anodised aluminium	250mm	drilling 1×NUP
✓ 081036	Power column type ES 100, anodised aluminium	250mm	drilling 2×NUP
✓ 152252	Power column type ES 100, black painted RAL9005	250mm	drilling 1×NUP
✓ 106783	Power column type ES 100, anodised aluminium	400mm	drilling 1×NUP
✓ 162264	Power column type ES 100, anodised aluminium	400mm	drilling 2×NUP
✓ 027850	Power column type ES 100, anodised aluminium	400mm	drilling 3×NUP
098952	Power column type ES 100, anodised aluminium	250mm	2×3-fold T13 open
✓ 228050	Power column type ES 100, black painted RAL9005	300mm	2×T13
✓ 228052	Power column type ES 100, anodised aluminium	390mm	3×T13
253341	Power column type ES 100, anodised aluminium	250mm	drilling 1×NUP
242253	Power column type ES 100, anodised aluminium	400mm	2×3-fold T13 open
✓ 228058	Power column type ES 100, anodised aluminium	500mm	1×T25, 1×CEE 16/5
229596	Power column type ES 100, anodised aluminium	780mm	1×T13 NUP (ceiling connection)
✓ 141774	Power column type ES 100, anodised aluminium	950mm	drilling 1×NUP
099489	Power column type ES 100, anodised aluminium	950mm	Emergency off button

Accessories/spare parts

253545 Set of rods V2A for power column ES 100 (set of 4 pieces)

This is a selection of equipment examples. We would be glad to advise you!

✓ From stock, offer subject to prior sale

Technical data	ES 160
Design/Material	– aluminium profile, anodised
Dimensions	– 160×110×h mm closed aluminium profile – height according to customer wishes (up to 5'900 mm possible)
Colour	– standard: aluminium, colourless anodised – on request: painted in standard colour chart (RAL)
Protective system	high protection degree, up to max. IP65; can also be used in wet area
Media	– electricity – water – compressed air – video, audio – telematics/IT – control/reporting devices – IT/data
Attachment	– floor panel – support flange
Equipment	Possible on all four sides, according to customer wishes: – for equipment on both sides with all standard device programmes (side A and side B) – for equipment on both sides with all CEE flush plug-in connectors (side A and side B) – fuses: circuit breaker and ground fault circuit breaker (side A or side B) – compressed air connection, ¼-inch up to two one-hand operation quick action couplings (side C or D)
Terminal blocks in tension spring technology	– up to 16 mm ² – 5-pin L1, L2, L3, N, PE – mounted on bearing rail system – bearing rail mounted on distance bolts
Standard types (from stock)	Yes
GIFAS scope of delivery	The ES 160 is supplied as per customer requirements with floor panel, with ceiling panel, with terminal block (up to 16 mm ²)



General

The ES 160 (floor panel 210×160 mm) can be equipped on all four sides, and is distinguished by its sturdy design.

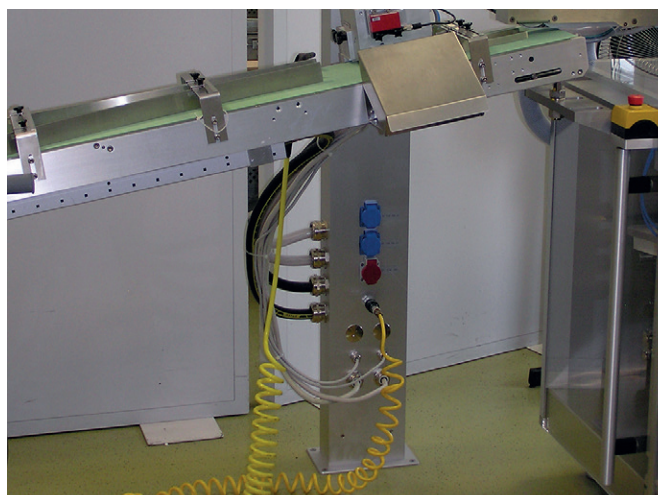
The ES 160 is ideal for applications with many connections and various options, especially in industrial and operational facilities.

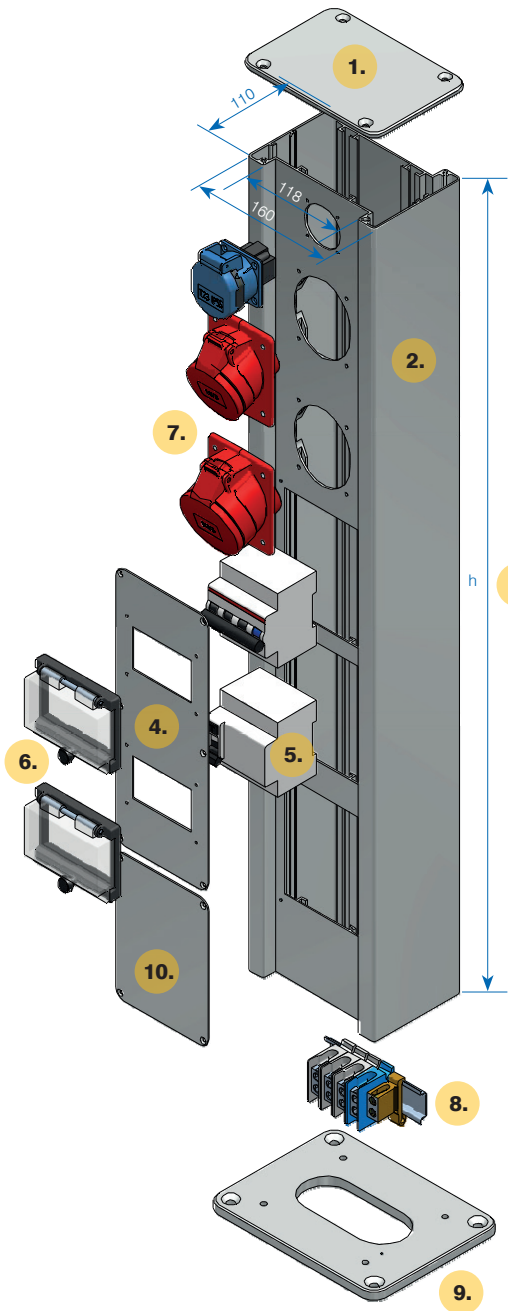
We also have several types of the ES 160, which are listed on the following pages. Due to the height of the columns, the equipments and specific solutions, we would be glad to work together with you.

Features

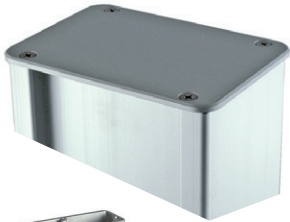
The ES 160 is available up to a height of 5'900 mm and can be bored and equipped individually according to customer wishes.

- The columns are generally equipped with floor panel and connection terminals.
- The ceiling connection version made of closed aluminium profiles for vertical connection technology is a special option. It permits supply from the ceiling or floor. The profile guarantees great stability and the equipments are simultaneously protected. (see page 5)
- A baffle plate is inserted to separate various electrical circuits.

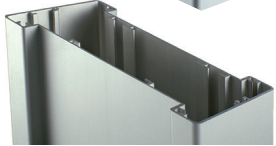




1. Ceiling panel



2. Aluminium column



3. Height according to customer wishes (max. 5'900mm) or standard types from stock (see p. 6+7)

4. Cover



5. Fuse blocks



6. Self-closing protection flap



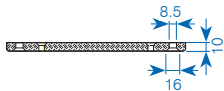
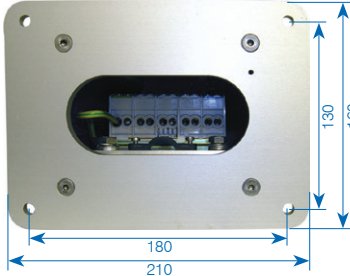
7. Customised equipment, e.g. (max. CEE 63/5)



8. Terminal block



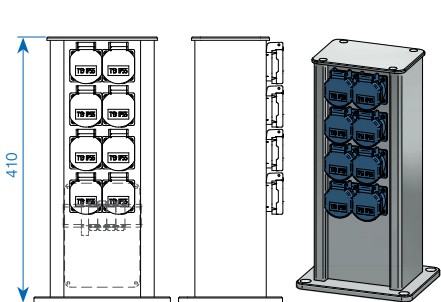
9. Floor panel



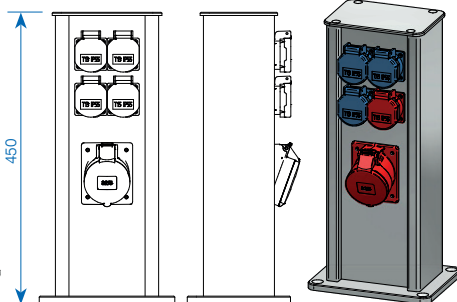
10. Inspection flap



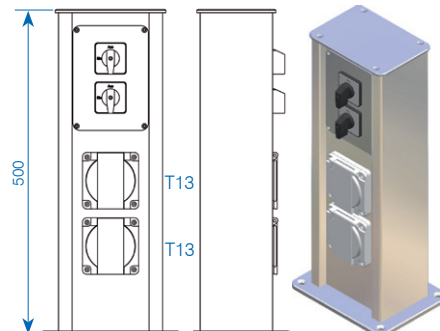
Item no. 228831



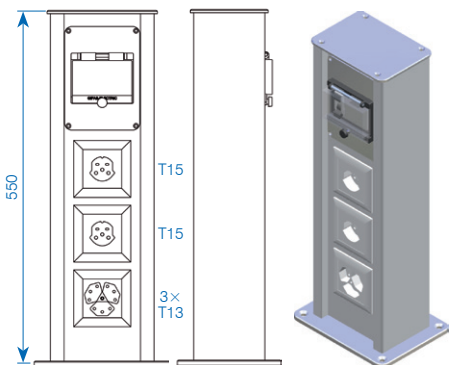
Item no. 228835



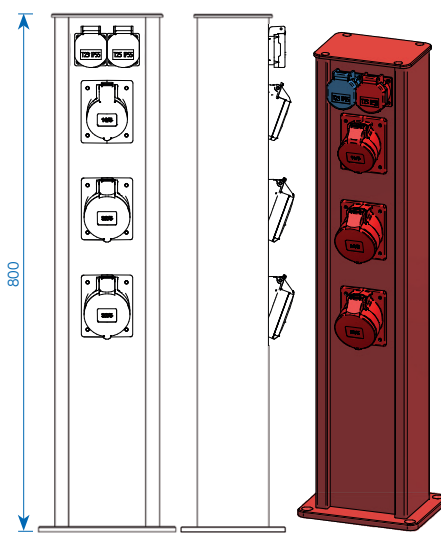
Item no. 229597



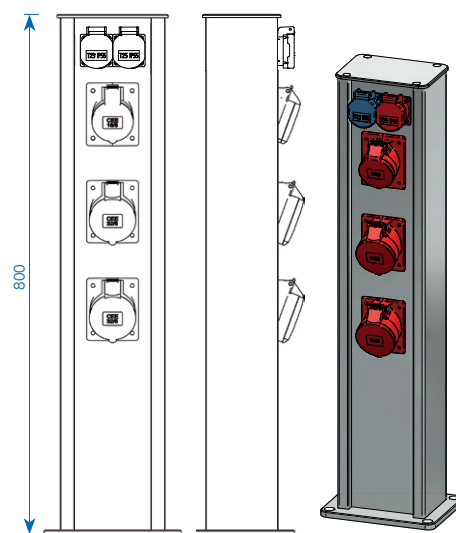
Item no. 072766



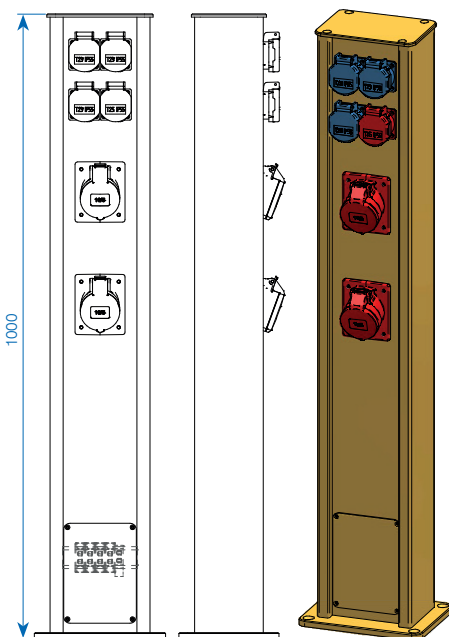
Item no. 228836



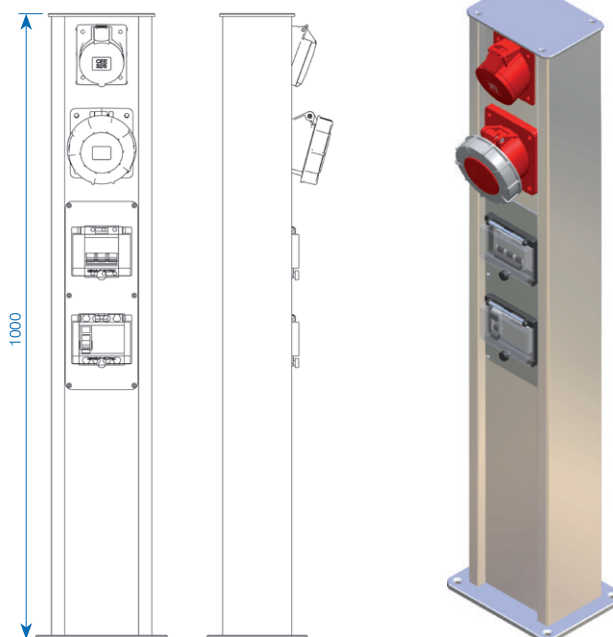
Item no. 228060



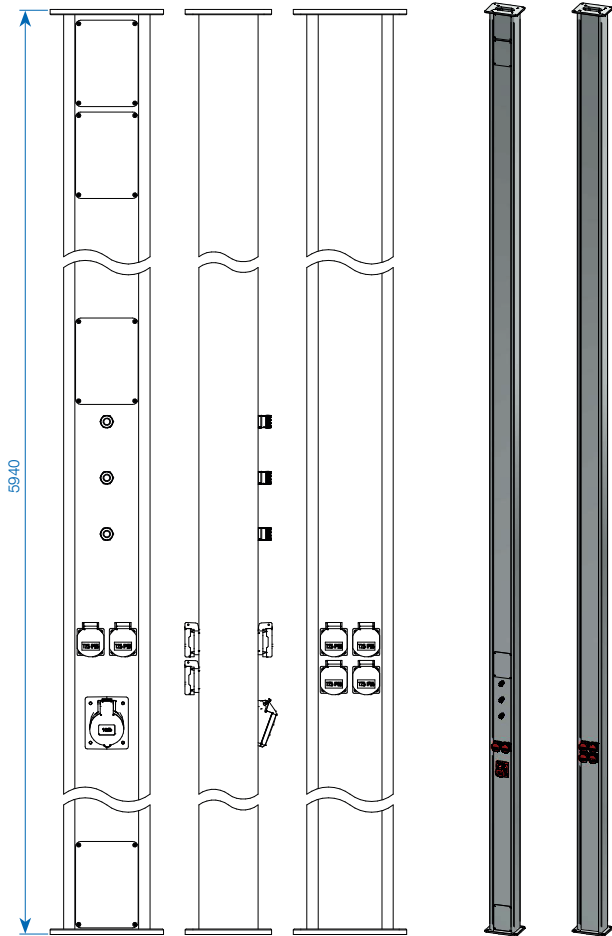
Item no. 228837



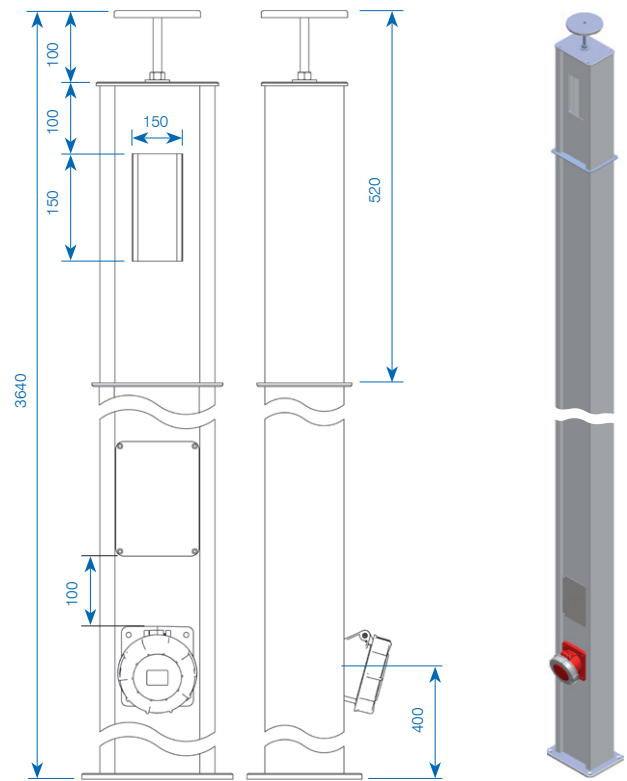
Item no. 028421



Item no. 228840



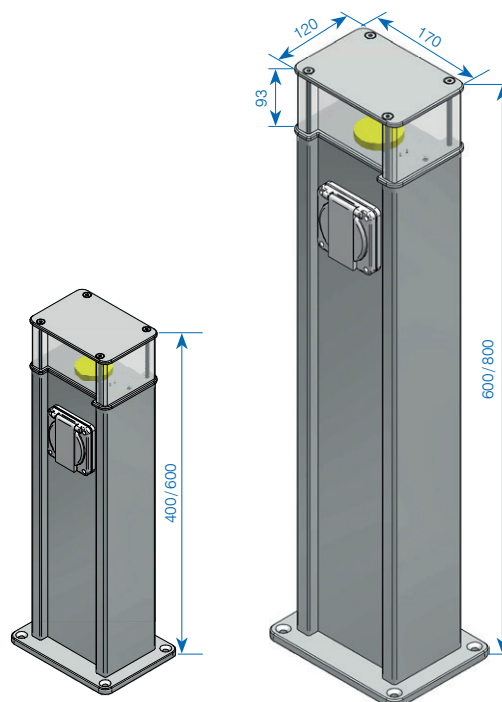
Item no. 026065



Item no.	Designation	Height	Equipment
228831	Power column type ES 160, anodised aluminium	410 mm	8×T13
228835	Power column type ES 160, anodised aluminium	450 mm	3×T13, 1×T15, 1×CEE 32/5
229597	Power column type ES 160, anodised aluminium	500 mm	2×T13 NUP, 2×Switch 1P-20A
072766	Power column type ES 160, anodised aluminium	550 mm	1×triple T23, 2×T15 open, 1×FI 4-40/30 mA
228836	Power column type ES 160, red painted RAL 3020	800 mm	1×T23, 1×T25, 1×CEE 16/5, 2×CEE 32/5
228060	Power column type ES 160, anodised aluminium	800 mm	1×T23, 1×T25, 1×CEE 16/5, 2×CEE 32/5
228837	Power column type ES 160, yellow painted RAL 1023	1'000 mm	3×T23, 1×T25, 2×CEE 16/5
028421	Power column type ES 160, anodised aluminium	1'000 mm	1×CEE 32/5, 1×CEE 63/5, 1×FI 4-40/30 mA, 1×LS 3-32
228840	Power column type ES 160, anodised aluminium	5'940 mm	6×T25, 1×CEE 16/5, 3×Air (ceiling connection)
026065	Power column type ES 160, anodised aluminium	3'640 mm	1×CEE 63/5 (Room column)

This is a selection of equipment examples. We would be glad to advise you!

Technical data	ES-LED 160
Operating voltage	230 VAC
Electric power supply	power supply
Illuminant	1 × 4.5 W LED-Modul
Operating output	4.5 W
Light output	84.4 lm/W
Lighting current	380 lm
Colour temperature (beam angle)	3'000 K / 4'200 K
CRI	RA > 80
Protection category	IP54
Protection class	I (Protective conductor)
Temperature range operation	-20° C to +40° C
Dimensions (L×W×H)	170×120×93 mm
Light unit material	PMMA satinised
Decorative feature material	aluminium anodised



Power column

Item no.	Designation
172615	Power column ES-LED 160, aluminium anodised, height 400 mm , lighting LED, 3'000 K
174008	Power column ES-LED 160, aluminium anodised, height 400 mm , lighting LED, 4'200 K
174011	Power column ES-LED 160, aluminium anodised, height 600 mm , lighting LED, 3'000 K
174012	Power column ES-LED 160, aluminium anodised, height 600 mm , lighting LED, 4'200 K

Power column fitted

Item no.	Designation
231606	Power column ES-LED 160, fitted 1×T13 NUP, aluminium anodised, height 600 mm , lighting LED, 3'000 K
231607	Power column ES-LED 160, fitted 1×T13 NUP, aluminium anodised, height 600 mm , lighting LED, 4'200 K
231609	Power column ES-LED 160, fitted 1×T13 NUP, aluminium anodised, height 800 mm , lighting LED, 3'000 K
231610	Power column ES-LED 160, fitted 1×T13 NUP, aluminium anodised, height 800 mm , lighting LED, 4'200 K

ES-LED luminaire head

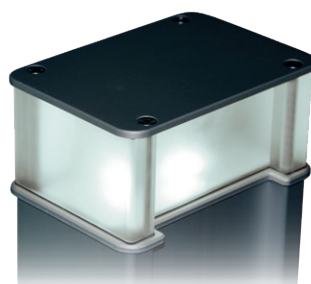
Item no.	Designation
✓ 860409	ES-LED luminaire head, 4'200 K, for ES-LED 160 alu column
✓ 861013	ES-LED luminaire head, 3'000 K, for ES-LED 160 alu column

In general

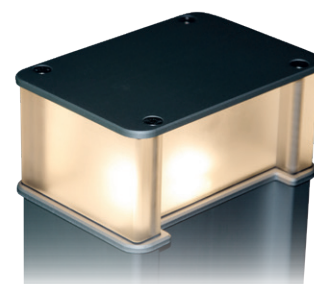
The ES-LED energy column of GIFAS consists of an ES 160 energy column with LED luminaire head on top. The ES luminaire head is made of frosted PMMA plastic. The LED light source is available in two colour variants (cold white and warm white). The system is ready for connection with connection from the bottom. A standard assortment is available ex stock or realisable at short notice.

Features

- direct mains supply connection (no power supply unit needed)
- 360° light distribution
- can be used for the entire ES 160 range
- retrofit equipping possible
- 2 light colour variants available
- high light efficiency
- low power consumption
- long lifetime
- vibration-resistant
- immediate light output
- light unit made from solid PMMA material, therefore extremely robust



Item no. 860409

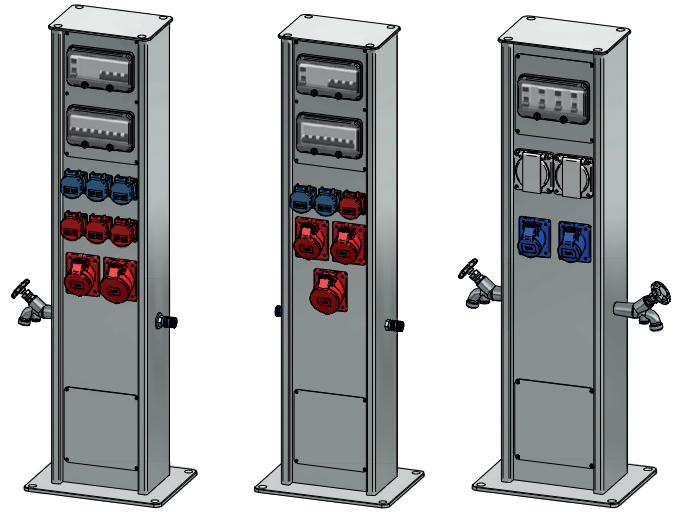


Item no. 861013

✓ From stock, offer subject to prior sale



Technical data	ES 230
Design/Material	– aluminium profile, anodised
Dimensions	– 230×150×h mm closed aluminium profile – height according to customer wishes (up to 5'900 mm possible)
Colour	– standard: aluminium, colourless anodised – on request: painted in standard colour chart (RAL)
Protective system	high protection degree, up to max. IP65; can also be used in wet area
Media	– electricity – water – compressed air – video, audio – telematics/IT – control/reporting devices – IT/data
Attachment	– floor panel
Equipment	Possible on all four sides, according to customer wishes: – for equipment on both sides with all standard device programmes (side A and side B) – for equipment on both sides with all CEE flush plug-in connectors (side A and side B) – fuses: circuit breaker and ground fault circuit breaker (side A or side B) – compressed air connection, 1/4-inch up to two one-hand operation quick action couplings (side C or D)
Terminal blocks in tension spring technology	– up to 70 mm ² – 5-pin L1, L2, L3, N, PE – mounted on bearing rail system – bearing rail mounted on distance bolts
Standard types (from stock)	No
GIFAS scope of delivery	The ES 230 is supplied as per customer requirements with floor panel, with ceiling panel, with terminal block (up to 70 mm ²).



General

The ES 230 (floor plate 330×250 mm) complements the existing assortment of power column in aluminium. It can be equipped on all four sides, and is distinguished by its sturdy design.

The ES 230 is ideal for applications with many connections and various options, especially in industrial and operational facilities.

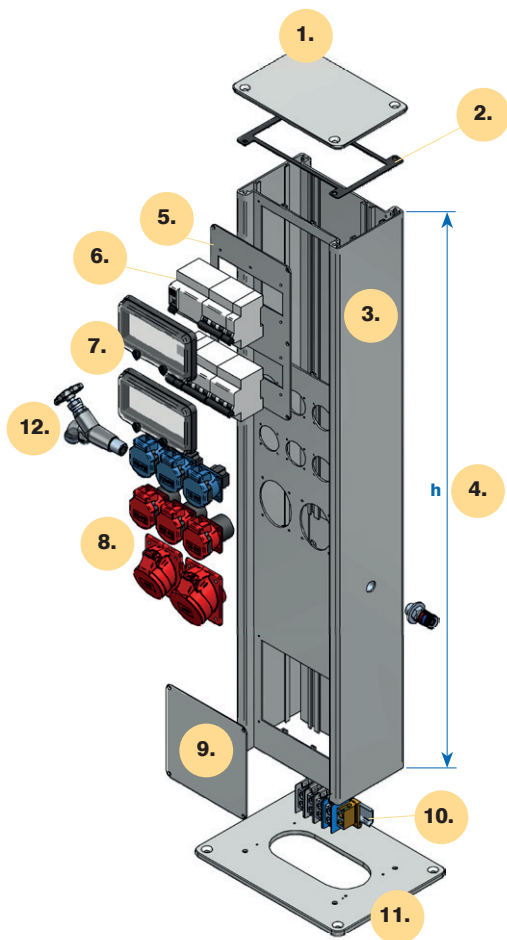
We also have several types of the ES 230, which are listed on the following pages. Due to the height of the columns, the equipments and specific solutions, we would be glad to work together with you.

Features

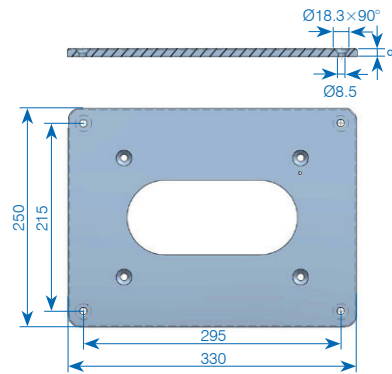
The ES 230 is available up to a height of 5'900 mm and can be bored and equipped individually according to customer wishes

- The columns are generally equipped with floor panel and connection terminals.
- A baffle plate is inserted to separate various electrical circuits.

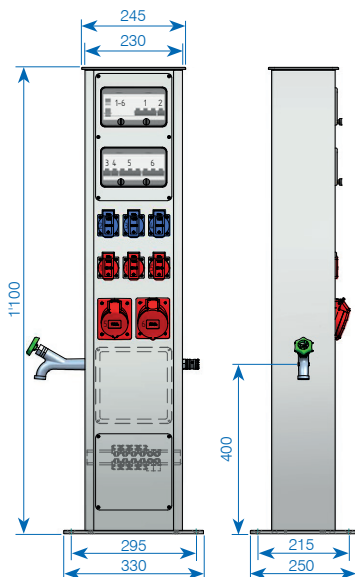
ES 230 – Construction/Product range



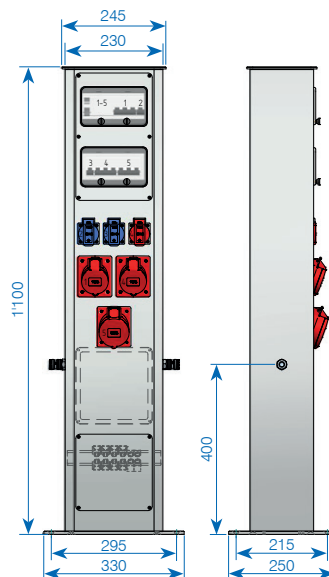
1. Ceiling panel
2. Gasket
3. Aluminium column
4. Height according to customer wishes (max. 5'900 mm)
5. Cover
6. Fuse blocks
7. Self-closing protection flap
8. Customised equipment
9. Service lid
10. Terminal block
11. Floor panel
12. Water and/or air



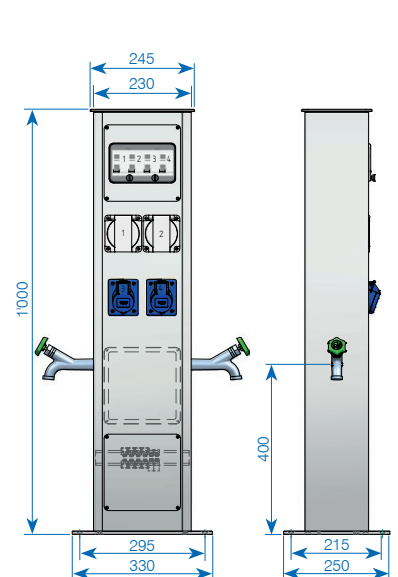
Item no. 228841



Item no. 228843



Item no. 229599



Item no.	Designation	Height	Equipment
228841	Power column type ES 230, anodised aluminium	1'100 mm	3×T23, 3×T25, 1×CEE 16/5, 1×CEE 32/5, 1×water, 1×compressed air
228843	Power column type ES 230, anodised aluminium	1'100 mm	2×T23, 1×T25, 2×CEE 16/5, 1× CEE 32/5, 2×compressed air
229599	Power column type ES 230, anodised aluminium	1'000 mm	2×T23 NUP, 2×CEE 16/3, 2×water

Technical data	RONDO M
Ø	324 mm
Height	1'158 mm
Weight	approx. 55 kg
Material	stainless steel V2A, 1.4301
Wall thickness	3 mm
Surface/Color	V2A polished (optional RAL 9007 – other colours on request)
Protection category	IP44
Door/locking device	triangle lock 8 mm
Water connection	input 1/2" output 3/4"
Air connection	input 1/2" output eSafe quick coupling
max. access	2×Ø36 mm
max. equipment	CEE 32 A
max. pre-fuse	80 A
Heating band	optional
Floor flange	optional (Item no. 250213)

General/Operating principle

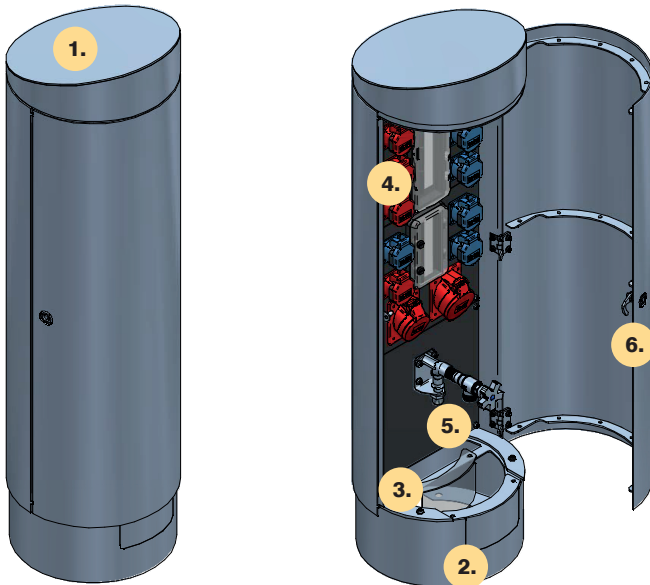
The RONDO is assembled on a concrete base provided on-site by the customer or on the optionally available floor flange. The RONDO can then be connected to the power supply and is thereby ready for operation. The insertion piece for the cable outlet can be lifted for operation, meaning that operation is also possible with the door closed. The RONDO M is completely wired up by GIFAS and delivered ready for connection.

Structure

The RONDO M consists of a robust, solid housing with a lockable door. Thanks to the modular design, the desired equipment can be installed. We are also happy to provide specific customer solutions.

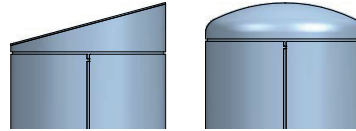
Floor flange optionally

The bottom flange is made of stainless steel V2A, 1.4301, with anti-rotation protection. The anchoring is used if a concrete base for the RONDO assembly has not been provided on-site by the customer. The excavation work and the professional assembly of the floor flange in accordance with the standards have to be carried out on site.



1. Column

- weight: approx. 55 kg
- material: stainless steel V2A, 1.4301
- surface / colour: V2A polished, RAL 9007 or painted according to customer requirements
- cover: slanted, convex (round)



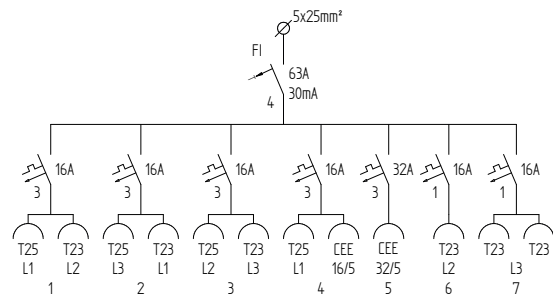
2. Cable outlet – insertion piece

Cable outlet flap removable 140x80 mm

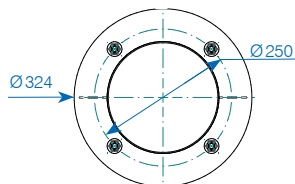
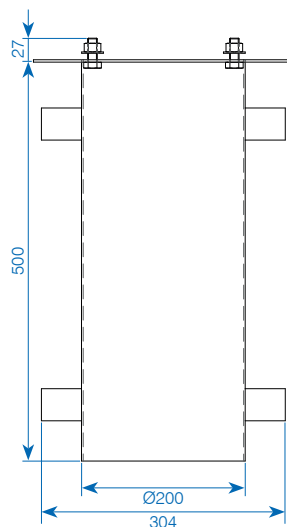
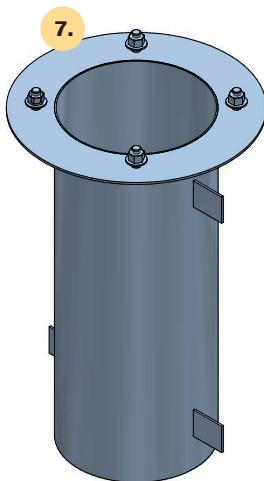
3. Holder for cable outlet flap

4. Power distribution

Equipped to customer requirements

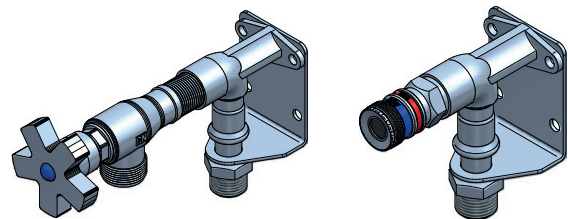


Measurements floor flange



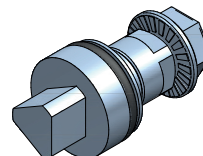
5. Water and air connection

Equipped to customer requirements



6. Standard lock

Triangle lock 8 mm

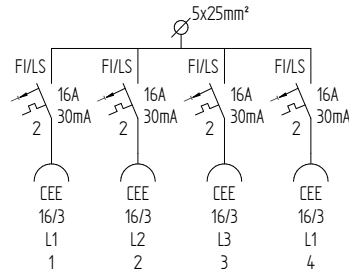
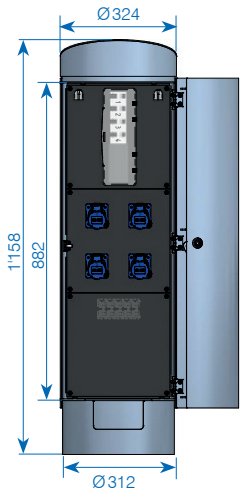


Other locks optionally, see page 19.

7. Floor flange (optional)

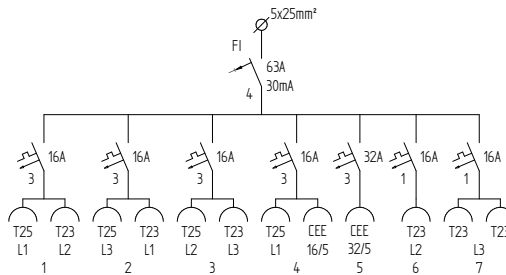
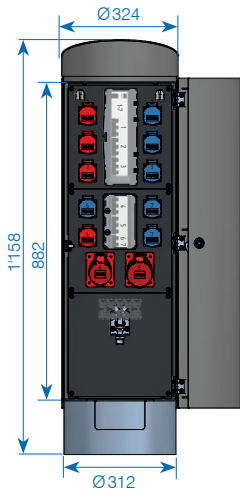
- ideal for installation in solid base (e.g. concrete)
- 4xM12x27 mm

Item no. 250391



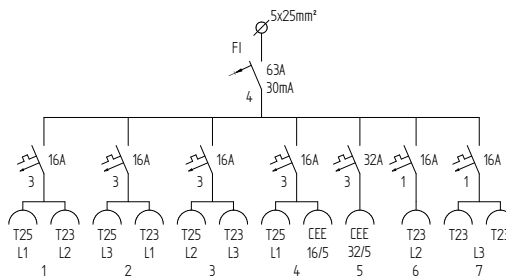
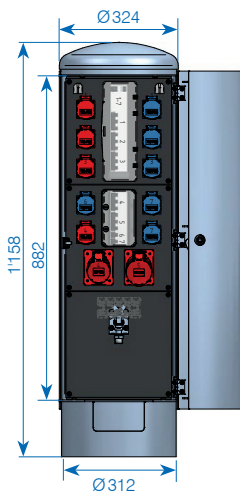
- V2A polished
- 4×CEE 16/3

Item no. 250115



- V2A painted RAL 9007
- 6×T23, 4×T25, 1×CEE 16/5, 1×CEE 32/5
- water connection

Item no. 250114



- V2A polished
- 6×T23, 4×T25, 1×CEE 16/5, 1×CEE 32/5
- water connection

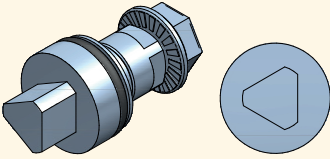

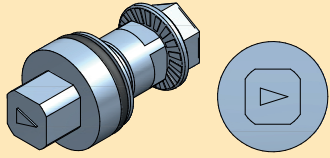

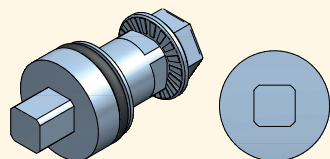

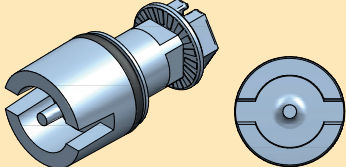

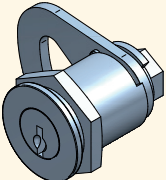
RONDO M – Assortment / Sash locks

Item no.	Designation	Colour	Height	Cover	Equipment
250391	Power column RONDO M	V2A polished	1'158mm	slanted	4×CEE 16/3
250115	Power column RONDO M	V2A painted RAL 9007	1'158mm	slanted	6×T23, 4×T25, 1×CEE 16/5, 1×CEE 32/5, water connection
250114	Power column RONDO M	V2A polished	1'158mm	convex	6×T23, 4×T25, 1×CEE 16/5, 1×CEE 32/5, water connection

Accessories/spare parts

250213	Floor flange for RONDO M
246789	Water tap stainless steel for RONDO M/L
250452	Air connection stainless steel for RONDO M/L

Sash locks for RONDO M and L

Sash lock	Keys
<p>Item no. 250252: Sash triangle lock 8 mm</p> 	<p>✓ Item no. 047659: Triangle lock key 8 mm</p> 
<p>Item no. 029622: Sash square lock 8 mm</p> 	<p>✓ Item no. 011691: Square lock key 8 mm</p> 
<p>Item no. 240271: Sash square lock 6 mm</p> 	<p>✓ Item no. 011692: Square lock key 6 mm</p> 
<p>Item no. 173217: Sash lock double-bit 3 mm</p> 	<p>✓ Item no. 011527: Key double-bit 3 mm</p> 
<p>Combination KABA 5000 Item no. 011804 with hook tongue Item no. 246646</p> 	

Technical data	RONDO L
Ø	500 mm
Height	1'388 mm
Weight	approx. 65 kg
Material	stainless steel V2A, 1.4301
Wall thickness	3 mm
Surface/Color	V2A polished (optional RAL 9007 – other colours on request)
Protection category	IP44
Door/locking device	triangle lock 8 mm
Water connection	input 1/2" output 3/4"
Air connection	input 1/2" output eSafe quick coupling
max. access	2×Ø60 mm
max. equipment	CEE 125 A
max. pre-fuse	160 A
Heating band	optional
Floor flange	optional (Item no. 250214)

General/Operating principle

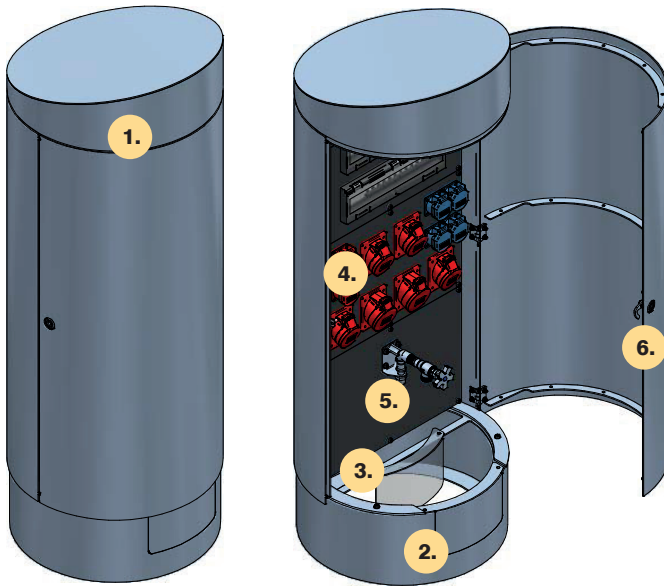
The RONDO is assembled on a concrete base provided on-site by the customer or on the optionally available floor flange. The RONDO can then be connected to the power supply and is thereby ready for operation. The insertion piece for the cable outlet can be lifted for operation, meaning that operation is also possible with the door closed. The RONDO L is completely wired up by GIFAS and delivered ready for connection.

Structure

The RONDO L consists of a robust, solid housing with a lockable door. Thanks to the modular design, the desired equipment can be installed. We are also happy to provide specific customer solutions.

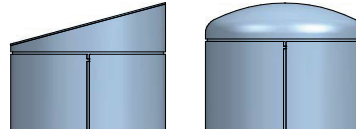
Floor flange optionally

The bottom flange is made of stainless steel V2A, 1.4301, with anti-rotation protection. The anchoring is used if a concrete base for the RONDO assembly has not been provided on-site by the customer. The excavation work and the professional assembly of the floor flange in accordance with the standards have to be carried out on site.



1. Column

- weight: approx. 65 kg
- material: stainless steel V2A, 1.4301
- surface/colour: V2A polished, RAL 9007 or painted according to customer requirements
- cover: slanted, convex (round)



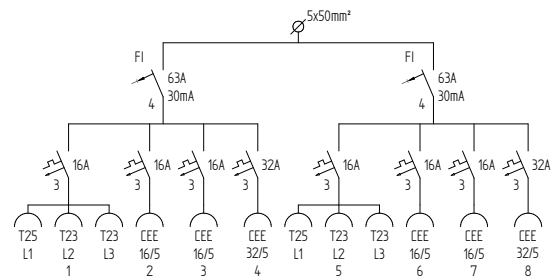
2. Cable outlet – insertion piece

Cable outlet flap removable 220×130 mm

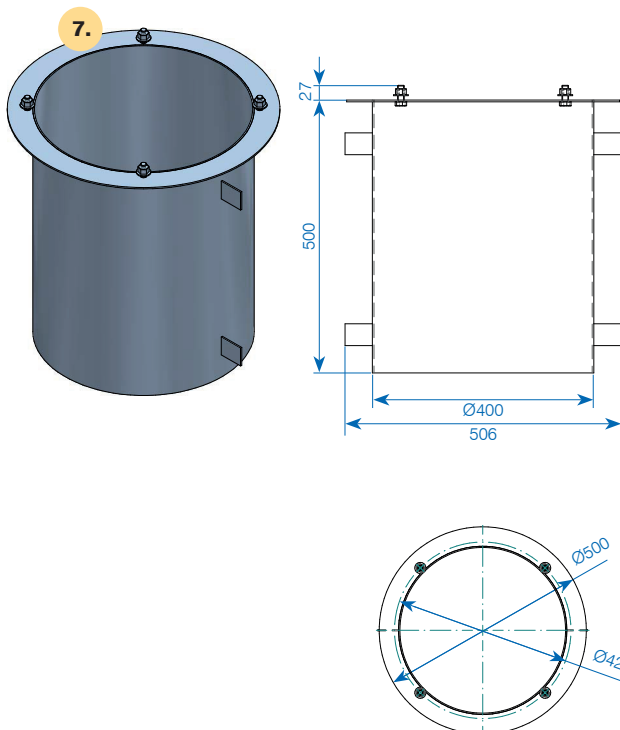
3. Holder for cable outlet flap

4. Power distribution

Equipped to customer requirements

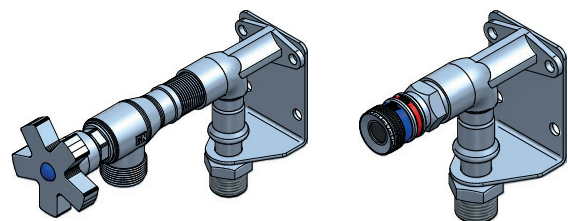


Measurements floor flange



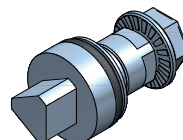
5. Water and air connection

Equipped to customer requirements



6. Standard lock

Triangle lock 8 mm

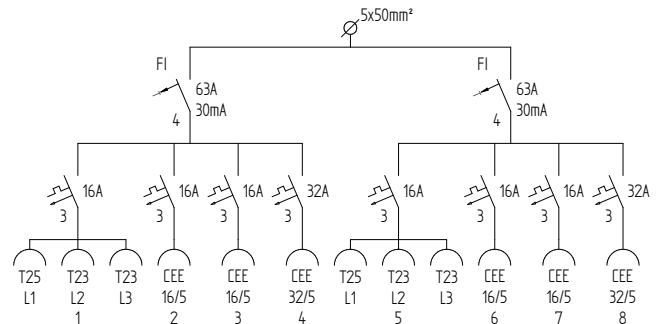
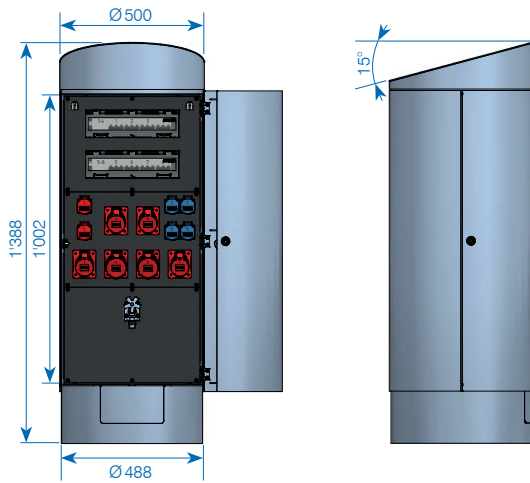


Other locks optionally, see page 19.

7. Floor flange (optional)

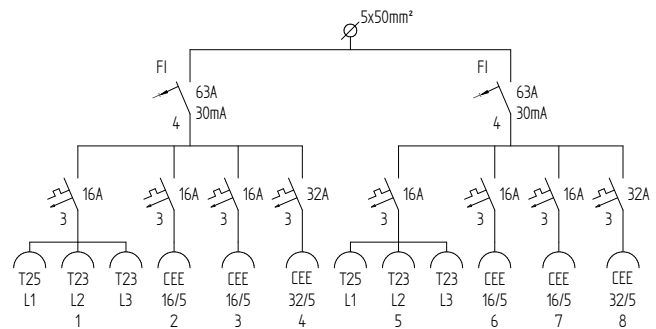
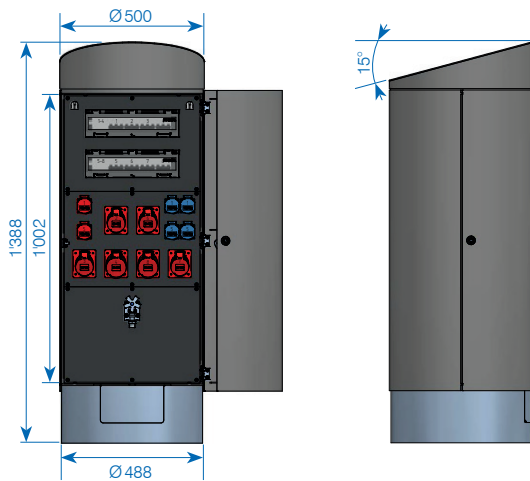
- ideal for installation in solid base (e.g. concrete)
- 4×M12×27 mm

Item no. 250109



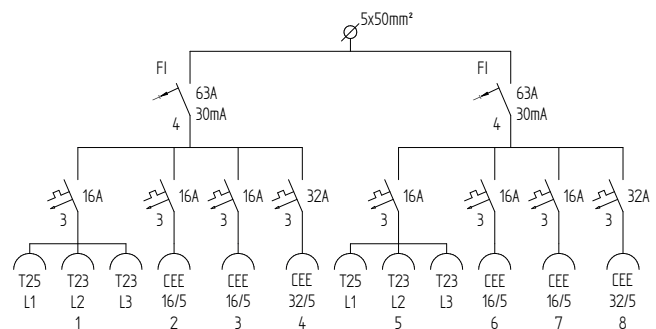
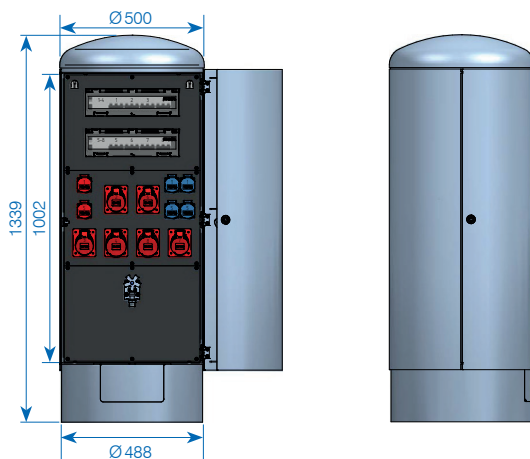
- V2A polished
- 4×T23, 2×T25, 4×CEE 16/5, 2×CEE 32/5
- water connection

Item no. 250112



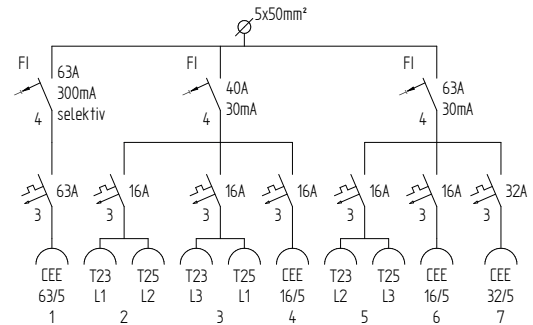
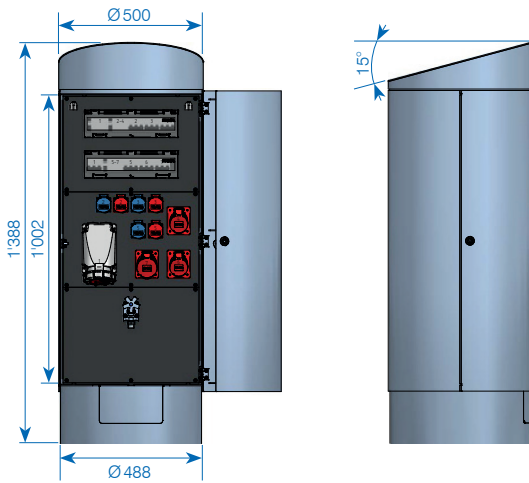
- V2A painted RAL 9007
- 4×T23, 2×T25, 4×CEE 16/5, 2×CEE 32/5
- water connection

Item no. 250111



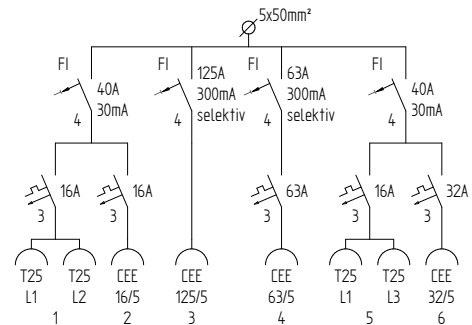
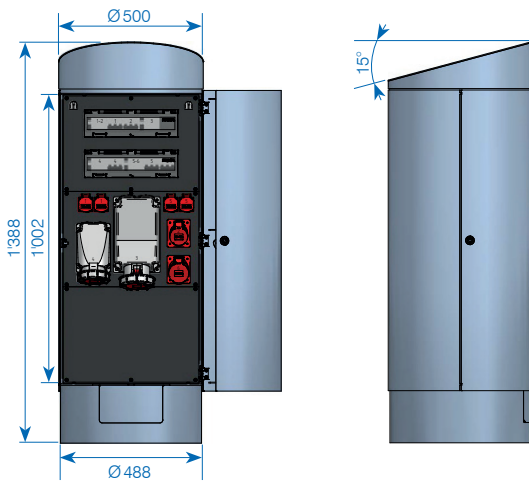
- V2A polished
- 4×T23, 2×T25, 4×CEE 16/5, 2×CEE 32/5
- water connection

Item no. 250118



- V2A polished
- 3×T23, 3×T25, 2×CEE 16/5, 1×CEE 32/5, 1×CEE 63/5
- water connection

Item no. 250120



- V2A polished
- 4×T25, 1×CEE 16/5, 1×CEE 32/5, 1×CEE 63/5, 1×CEE 125/5

Item no.	Designation	Colour	Height	Cover	Equipment
250109	Power column RONDO L	V2A polished	1'388 mm	slanted	4×T23, 2×T25, 4×CEE 16/5, 2×CEE 32/5, water connection
250112	Power column RONDO L	V2A painted RAL 9007	1'388 mm	slanted	4×T23, 2×T25, 4×CEE 16/5, 2×CEE 32/5, water connection
250111	Power column RONDO L	V2A polished	1'339 mm	convex	4×T23, 2×T25, 4×CEE 16/5, 2×CEE 32/5, water connection
250118	Power column RONDO L	V2A polished	1'388 mm	slanted	3×T23, 3×T25, 2×CEE 16/5, 1×CEE 32/5, 1×CEE 63/5, water connection
250120	Power column RONDO L	V2A polished	1'388 mm	slanted	4×T25, 1×CEE 16/5, 1×CEE 32/5, 1×CEE 63/5, 1×CEE 125/5

Accessories/spare parts

250214	Floor flange for RONDO L
246789	Water tap stainless steel for RONDO M/L
250452	Air connection stainless steel for RONDO M/L

Technical data	QUADRO
Design / Material	V2A polished
Wall thickness	2mm
Dimensions	320×320×1'100 mm
Colour	– Standard: chrome steel – On request: painted in standard colour chart (RAL)
Protective system	IP44
Media	– Electricity – Water – Compressed air – Video, audio – Telematics / IT – Control/reporting devices – IT/data
Attachment	Floor flange (optional Item no. 124940)
Equipment	max. distributor type 7400 e.g.: 2×T23 2×T25 1×CEE 16/5 1×CEE 32/5 or 2×T23 2×T25 2×CEE 32/5 ... or individually according to customer wishes
GIFAS scope of delivery	The QUADRO is supplied according to customer requirements with column module, cover module and two locks fully mounted (optionally with floor flange, in pack)



General

QUADRO – the clever module

The QUADRO can be used for many outdoor applications and optically fits perfectly into the environment. The QUADRO has perfect vandal-proof design, and thanks to the compact internal rubber distributor the column is also ideally suited to very rough environments.

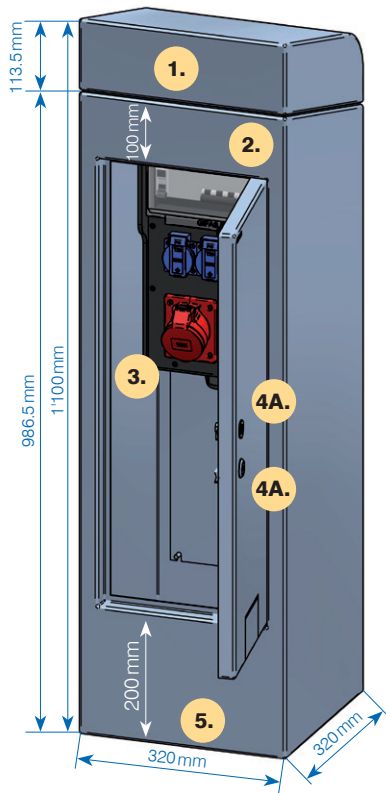
Thanks to the flexible cable outlet flap, outside influences can also be reduced to a minimum during operation.

Two locks are standard equipment for the QUADRO (1×KABA 5000/1×square 8mm).

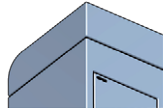
Features

The QUADRO can be selected and ordered as modules:

- three possible cover versions
- various power distribution options (various equipment options)
- individual lock versions

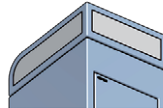


1. Cover module



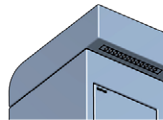
Cover module without lighting

- classic cover version
- vandal-proof, sturdy, no maintenance



Cover module with diffuse lighting

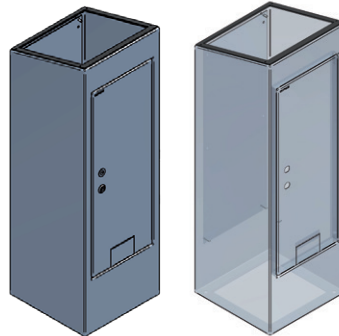
- illumination of QUADRO on three surrounding sides using muted light; no glare, discreet illumination of environment



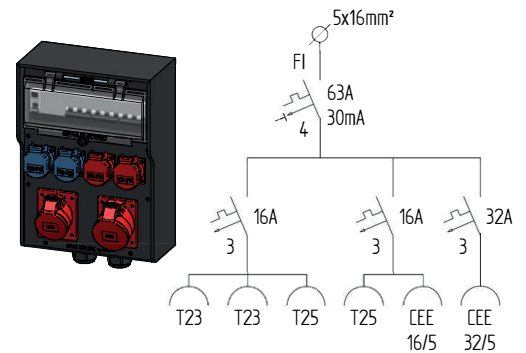
Cover module with LED lighting

- lighting of front of QUADRO with latest LED lighting, power-saving, energy-conscious
- high visibility column

2. Column module



3. Power distribu



4 a/b Locks

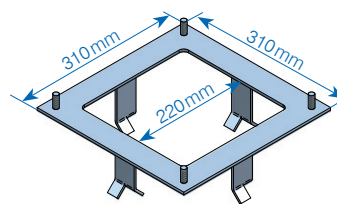


1. square lock 6 mm A2 standard
2. square lock 8 mm A2



3. double-bit lock A2
4. KABA 5000 type lock

5. Floor flange



Floor flange

- ideal for installation in solid base (e.g. concrete)
- fast installation possible
- easy levelling possible

Item no.	Designation	Locks	Equipment
141688	QUADRO without lighting	KABA 5000/square	unequipped
228937	QUADRO without lighting	KABA 5000/square	Type 7400, 2xT23, 2xT25, 1xCEE 16/5, 1xCEE 32/5
228941	QUADRO with diffuse lighting	KABA 5000/square	Type 7400, 2xT23, 2xT25, 1xCEE 16/5, 1xCEE 32/5
228942	QUADRO with LED lighting	KABA 5000/square	Type 7400, 2xT23, 2xT25, 1xCEE 16/5, 1xCEE 32/5

Accessories/spare parts

- ✓ 124940 Floor flange to QUADRO, A2

This is a selection of equipment examples. We would be glad to advise you!

✓ From stock, offer subject to prior sale

Solid industrial columns for reliable use in challenging environments

The robust industrial columns are particularly suitable for the harsh environments which occur in workshops and industry. Neither chemical influences nor difficult weather conditions have an adverse effect on the reliability of the electric power supply thanks to the high degree of protection.

Depending on customer requirements, air connections, water supply or other components can also be integrated, thereby providing a complete supply directly at the workplace or by the machine.

- individual connections depending on customer requirements
- solid, corrosion-resistant design
- increased safety through local RCD protection



St. Jakob-Stadion



SPI



SPI

Example 1



Customer: Mechanical engineering
Description: Column is equipped with individual plug sockets, easy to close with lock.

Example 2



Customer: Metal worker
Description: Several columns and surface mounted solutions installed at new construction.

Example 3



Customer:
Description:

SPI (sewage purification installation)
Solid metal column with transparent protective hood, 1×CEE 16/5, 1×CEE 32/5, 2×T23 plus various operating elements. Additional protection by transparent hood.

Example 4



Customer:
Description:

SPI (sewage purification installation)
Power column on SPI, on the one side plug sockets below box for power supply, on the other side switches in the housing, lockable, with inspection window.

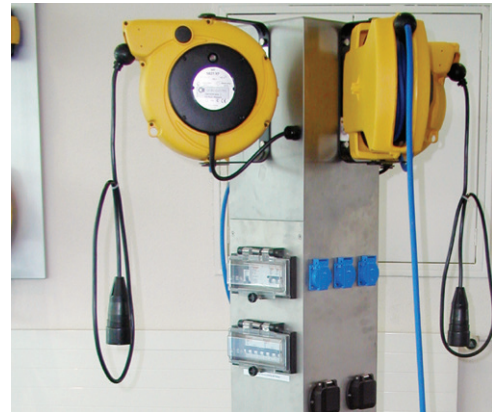
Example 5



Customer:
Description:

Chemical industry
Metal block (V2A), equipped on two sides with 4×CEE 32 each plus two suspensions for cables on the outside, fuse blocks easily accessible below.

Example 6



Customer:
Description:

Mechanical engineering
The power column has four pull cable reels at the top, meaning much less cable tangle; in addition plug sockets on several sides. All kinds of options are for the user in particular with the pull cable reels.

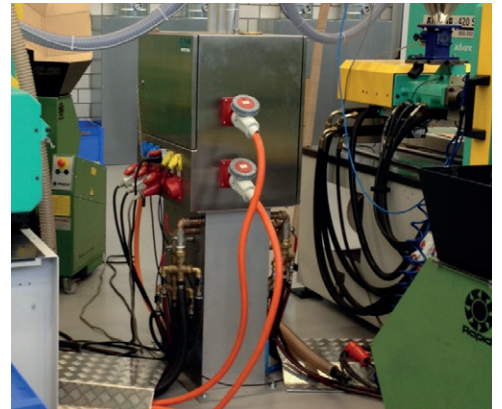
Example 7



Customer:
Description:

Sport club/football field
Conversion and expansion of existing energy distributor next to football field to obtain ideal plug socket equipment.

Example 8



Customer:
Description:

Industry branch
Industrial power column INOX V2A, fixed between the machines with double-sided equipping for energy- and water supply.

The elegant power column for unrestricted provision of electricity on camping sites

The camping distributors are manufactured from high-grade stainless steel and provide a reliable electric power supply for mobile homes and caravans on camping sites. The robust design of the power column offers protection against vandalism and unauthorised power consumption and is resistant to extreme weather conditions.

The local fuse protection of the power connections and possible integrated lighting provide campers with a safe energy supply. Thanks to an integrated meter, the power consumption of the individual parking position is always clear, which ensures a relaxed stay on the camping site.

- no unauthorised power consumption to the locking possibility
- integrated meter for simple recording of the power consumption
- can be combined with a water supply, LED lighting, etc.



Camping Sutz

Example 1



Camping: Idyll, Altenrhein
Description: Distributor solution with seven plug sockets and accompanying meters, earth fault circuit breaker, mounted on concrete base, lockable, with lighting

Example 2



Camping: Silvaplana
Description: Three-part lockable distributor box with all fuse blocks on the left and the consumer side on the right with 2x8 plug sockets. Ideal for ruling out all risks and for ensuring that only those authorised parties can gain access to all connections.

Example 3



Description: Elegant distributor solution, mounted on a concrete base, with four plug sockets and water-connection.

Individual power columns for boat landing stages

The compact weather-resistant power columns can be perfectly integrated on boat landing stages and Harbours. The unauthorised power consumption is not possible because of a mechanical locking device.

The local fuse protection of the sockets and the discreet lighting of the power column and the landing stage provide a safe electric power supply for the boats.

- weather-resistant, compact solution
- various mounting options possible
- local fuse protection for the electric connections



Harbour Bottighofen

Item no. 188520



Harbour:
Description:

Le Bouveret
GIFAS was commissioned with producing the Harbour columns as part of the overall renewal of the electro-mechanical installations; special energy columns with an LED lighting, and six protected electrical connections.

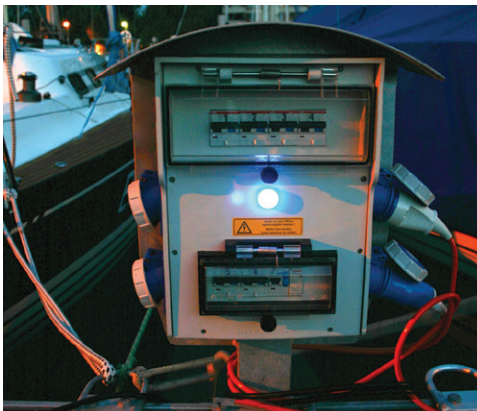
Item no. 126705



Harbour:
Description:

Altenrhein
Energy distributor solid rubber light grey with rain protection roof.

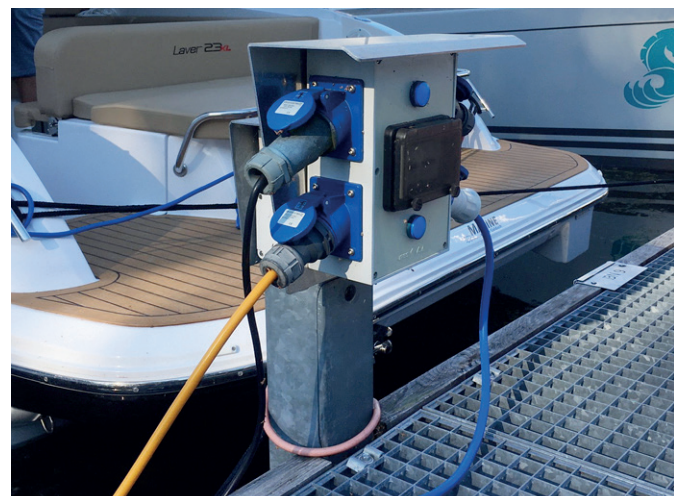
Item no. 188521



Harbour:
Description:

Bottighofen
At the Bottighofen harbour, we were commissioned with supplying the harbour distributors on the one hand and additional parts for the lighting on the other; these included GT lights as well as floor lighting with our LED flush-mounted lights.





GET IN TOUCH WITH US

You can find product range innovations, customer solutions and the latest product catalogue on our homepage

www.gifas.ch

We reserve the right to make technical modifications. V 0324



GIFAS
V 34 E 0 / L E C T R I C

GIFAS-ELECTRIC GmbH
Dietrichstrasse 2
CH-9424 Rheineck

+41 71 886 44 44
+41 71 886 44 49
info@gifas.ch
www.gifas.ch